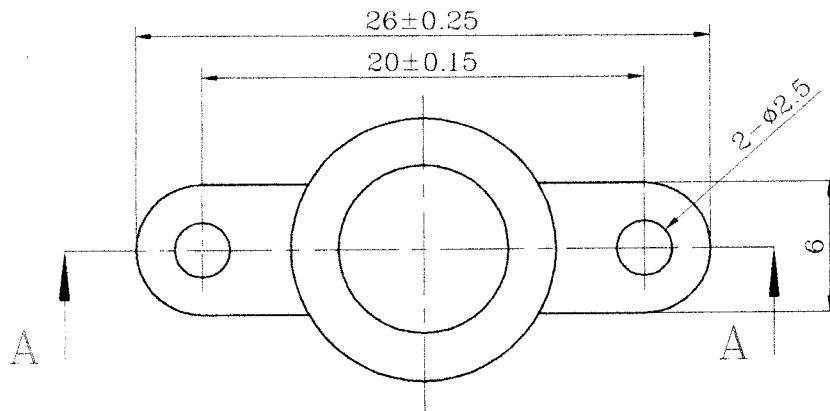


SECTION:A-A



NOTES:

1. Material used is Silicon Rubber, 70Degree, color is black;
2. External viewing should have no defects, pin-whole should be less than 0.03 mm.;
3. The Tolerance of those parameters do not specify are coincided with IT11 Grade.

| | | | | | | | |
|------------|---------|---------|-----------|----------------------|-------------|-----------------------------|---|
| | | | | Holder Rubber | | Material: silicon rubber | |
| | | | | | | Part No: 01. AE. MT. 946502 | |
| Drawing No | Mark | Doc No. | Signature | Date | Proportion | | HORN Shenzhen Horn Electroacoustic Technology Co.,Ltd |
| Version | design | | date | | 10:1 | | |
| 1.2 | check | | date | | Page 1 of 1 | | |
| | approve | | date | | | | |